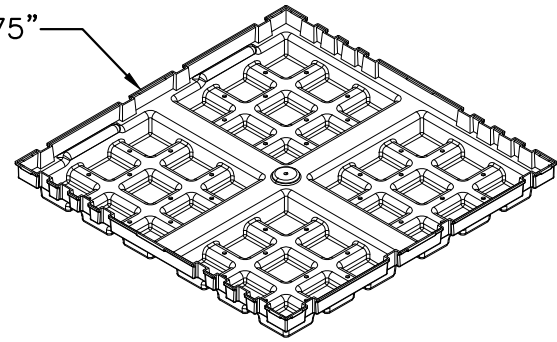
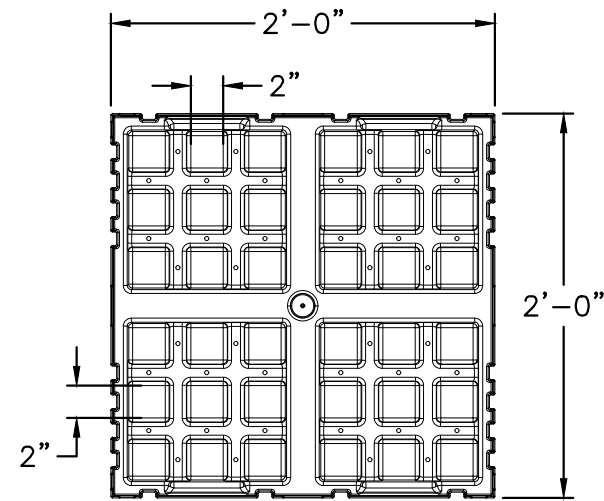


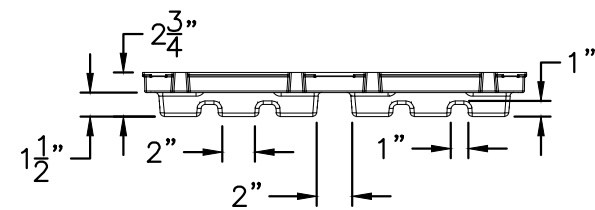
ULTRA-EXTENSIVE  
GREENGRID  
MODULE - 2.75"



ISOMETRIC VIEW



TOP VIEW



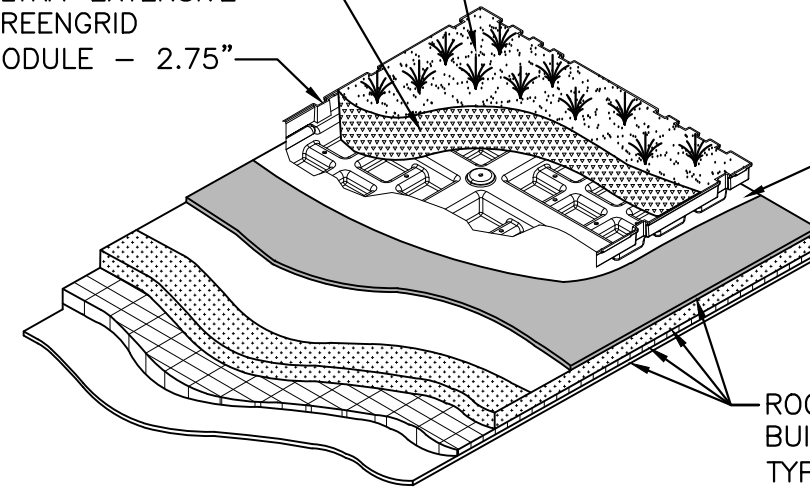
SIDE VIEW

VEGETATION (TYP)

GROWTH MEDIA

ULTRA-EXTENSIVE  
GREENGRID  
MODULE - 2.75"

SLIP SHEET OR PROTECTION  
MAT AS SPEC'D BY  
WATERPROOFING MFG



ROOFING SYSTEM  
BUILD UP -  
TYPICAL/PER SPECS

ISOMETRIC VIEW - CROSS SECTION

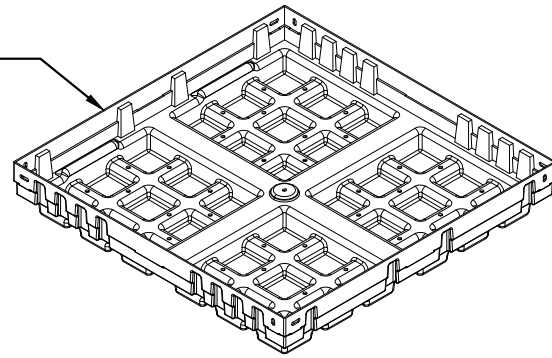
WESTON SOLUTIONS, INC.  
G5 GREENGRID MODULES



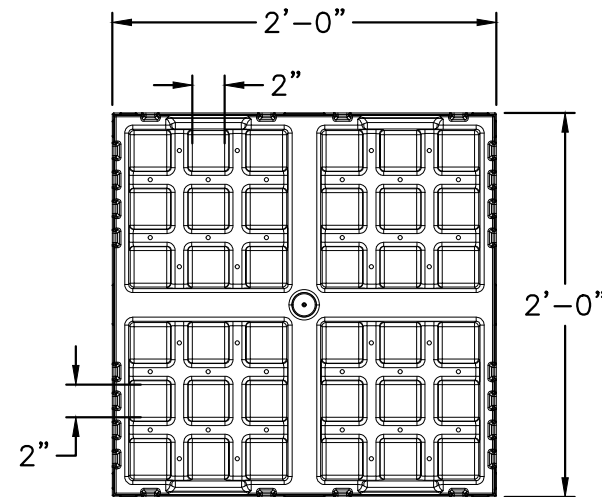
G5 GREENGRID MODULE  
ULTRA-EXTENSIVE  
SECTIONS

DRAWN	DATE	DES. ENG.	DATE	W.O. NO.
CHECKED	DATE	APPROVED	DATE	DWG. NO.

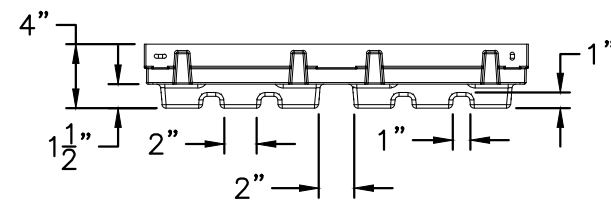
EXTENSIVE  
GREENGRID  
MODULE - 4"



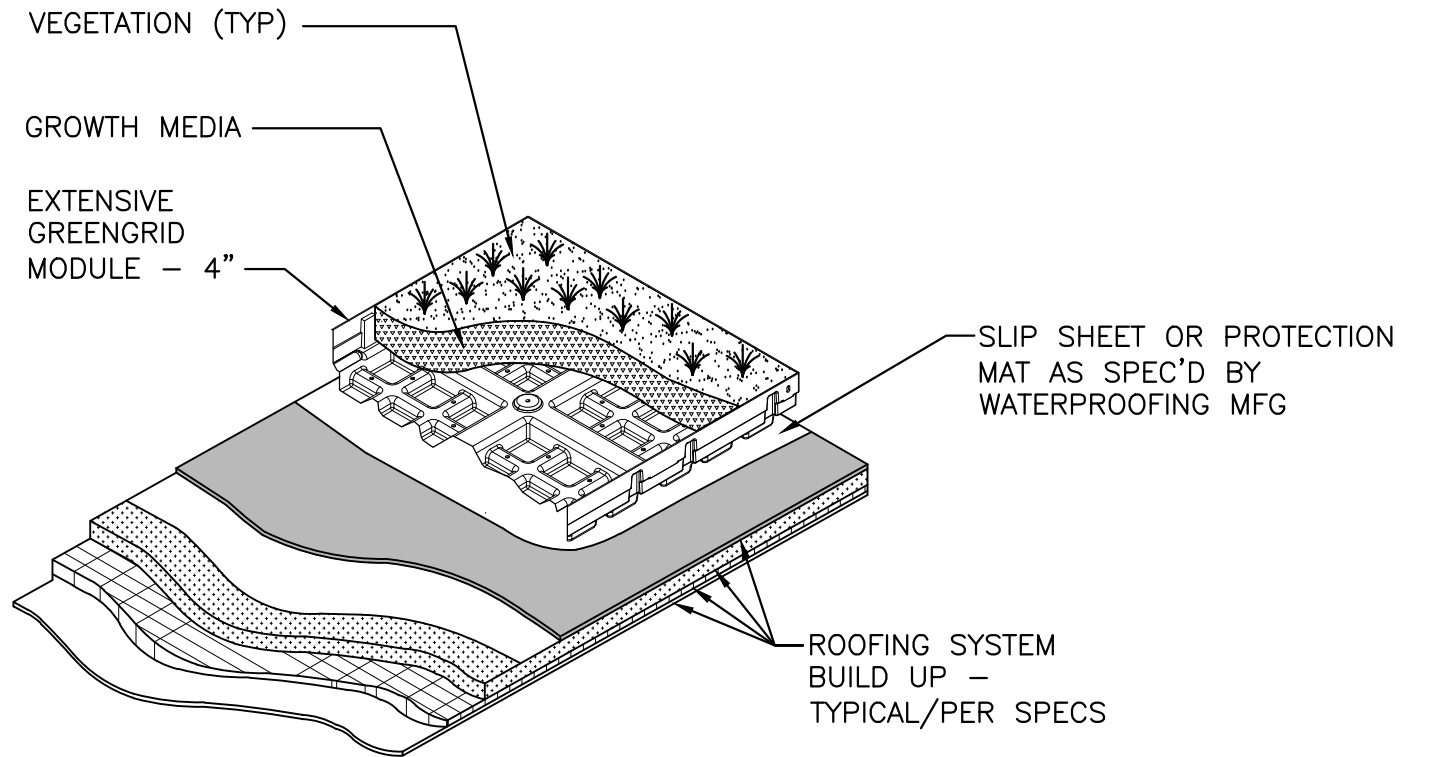
ISOMETRIC VIEW



TOP VIEW



SIDE VIEW



ISOMETRIC VIEW - CROSS SECTION

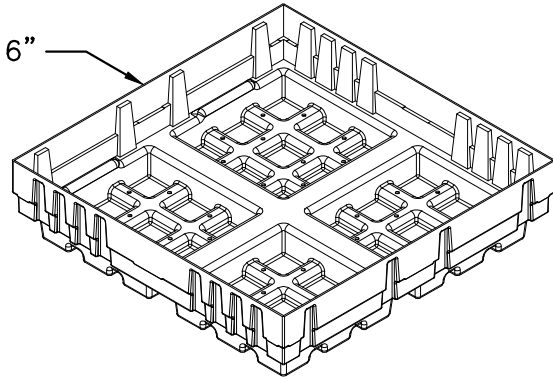
WESTON SOLUTIONS, INC.  
G5 GREENGRID MODULES



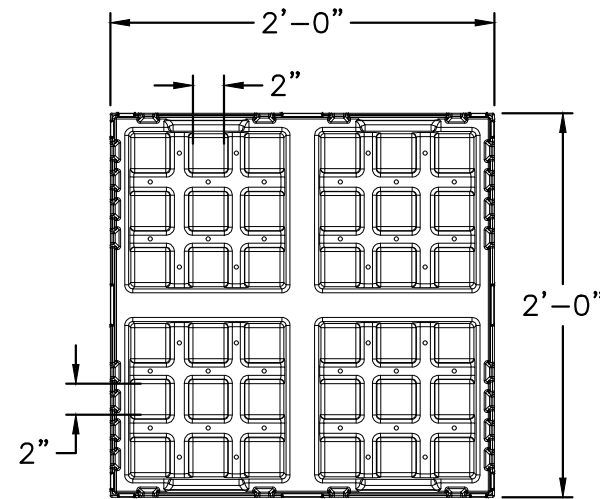
G5 GREENGRID MODULE  
EXTENSIVE  
SECTIONS

DRAWN	DATE	DES. ENG.	DATE	W.O. NO.
CHECKED	DATE	APPROVED	DATE	DWG. NO.

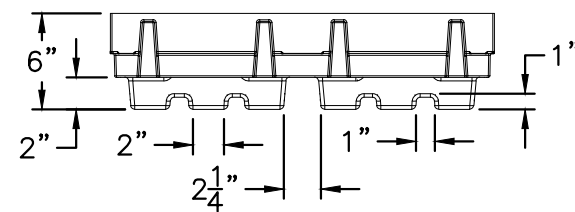
SEMI-INTENSIVE  
GREENGRID  
MODULE - 6"



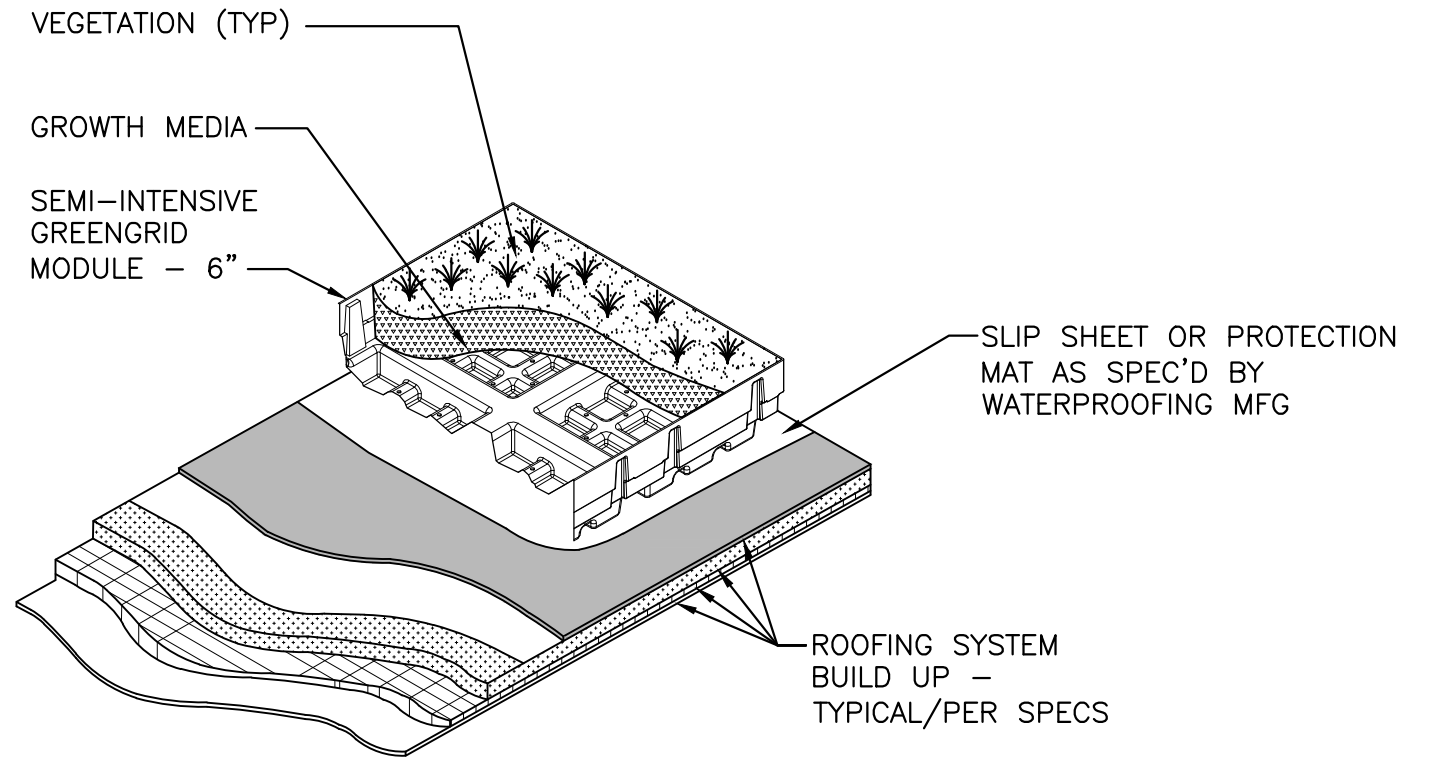
ISOMETRIC VIEW



TOP VIEW



SIDE VIEW



ISOMETRIC VIEW - CROSS SECTION

WESTON SOLUTIONS, INC.  
G5 GREENGRID MODULES

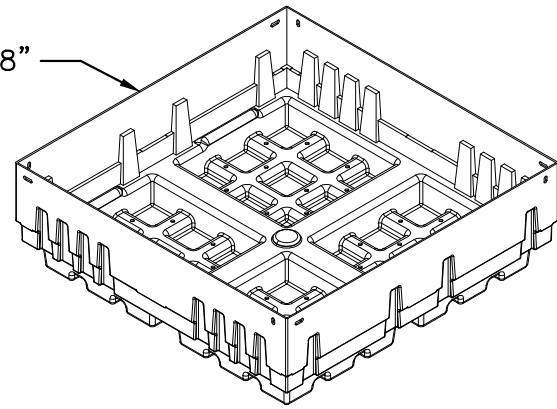


G5 GREENGRID MODULE  
SEMI-INTENSIVE  
SECTIONS

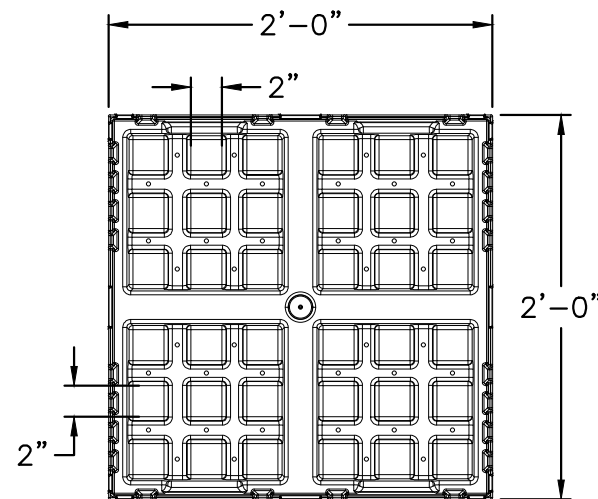
DRAWN	DATE	DES. ENG.	DATE	W.O. NO.
CHECKED	DATE	APPROVED	DATE	DWG. NO.

FILE NO.

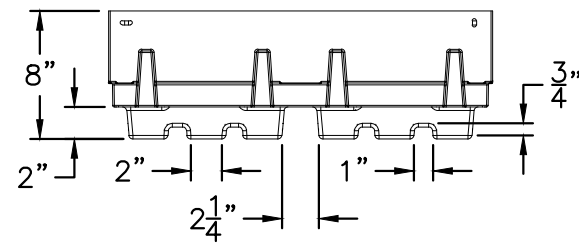
INTENSIVE  
GREENGRID  
MODULE - 8"



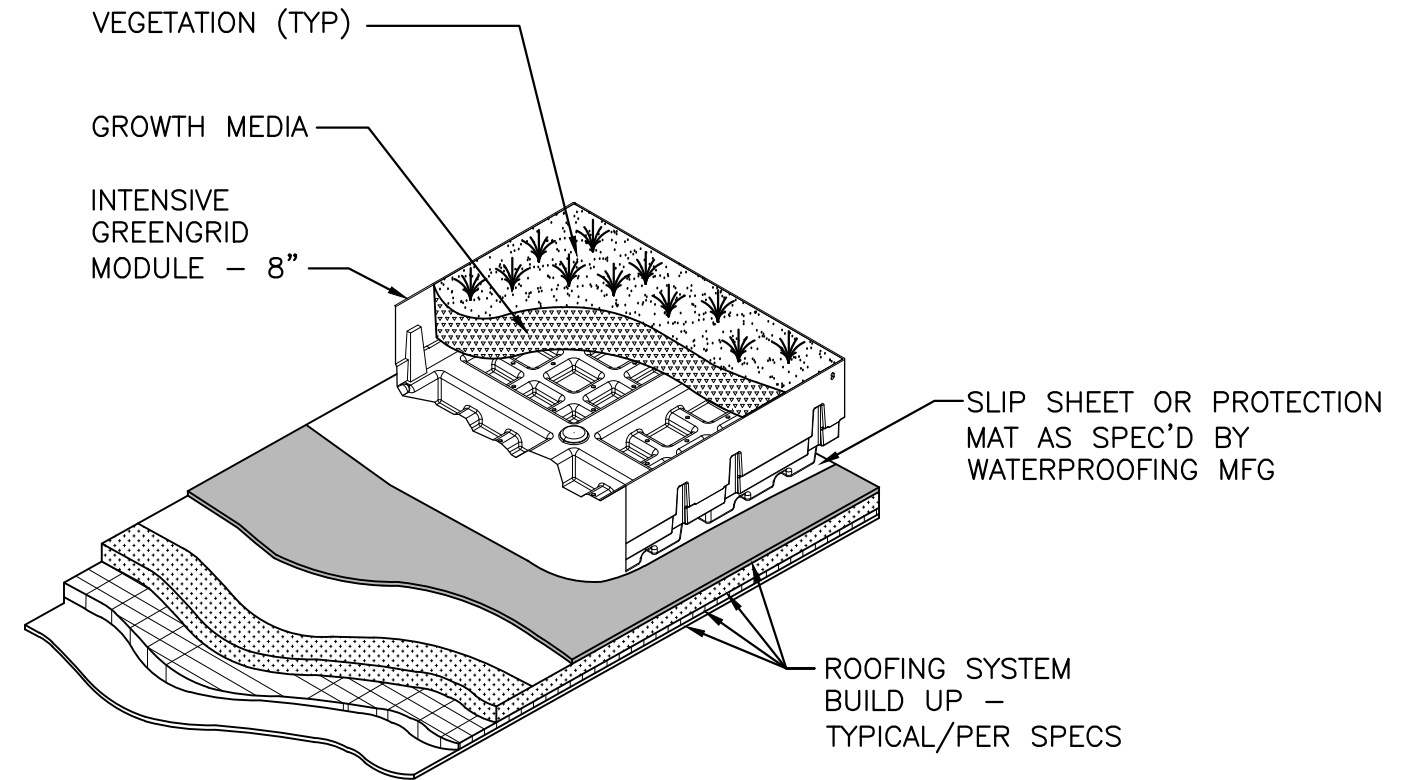
**ISOMETRIC VIEW**



**TOP VIEW**



**SIDE VIEW**



**ISOMETRIC VIEW - CROSS SECTION**

WESTON SOLUTIONS, INC.  
G5 GREENGRID MODULES



G5 GREENGRID MODULE  
INTENSIVE  
SECTIONS

DRAWN	DATE	DES. ENG.	DATE	W.O. NO.
CHECKED	DATE	APPROVED	DATE	DWG. NO.