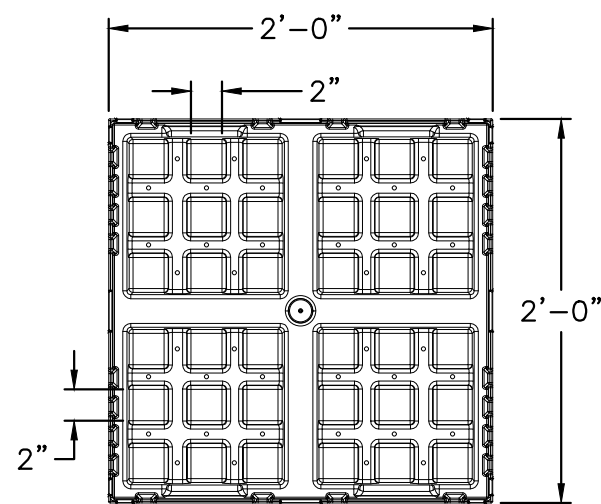
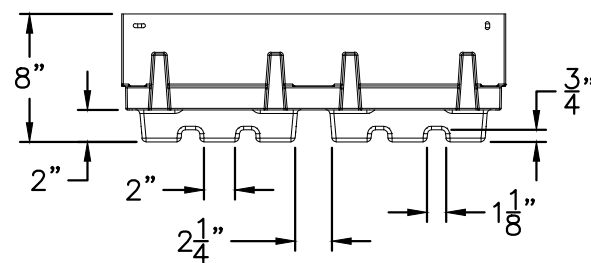


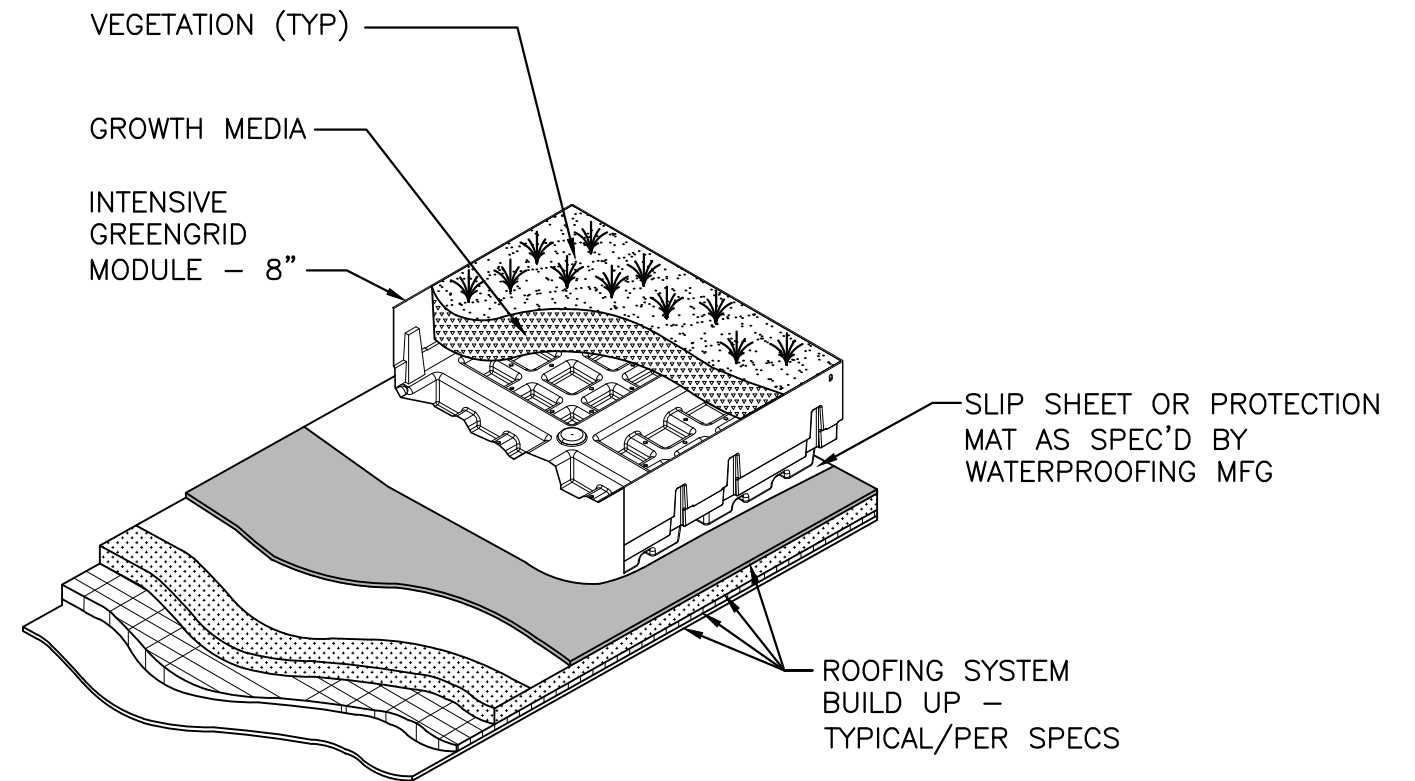
ISOMETRIC VIEW



TOP VIEW



SIDE VIEW



ISOMETRIC VIEW - CROSS SECTION

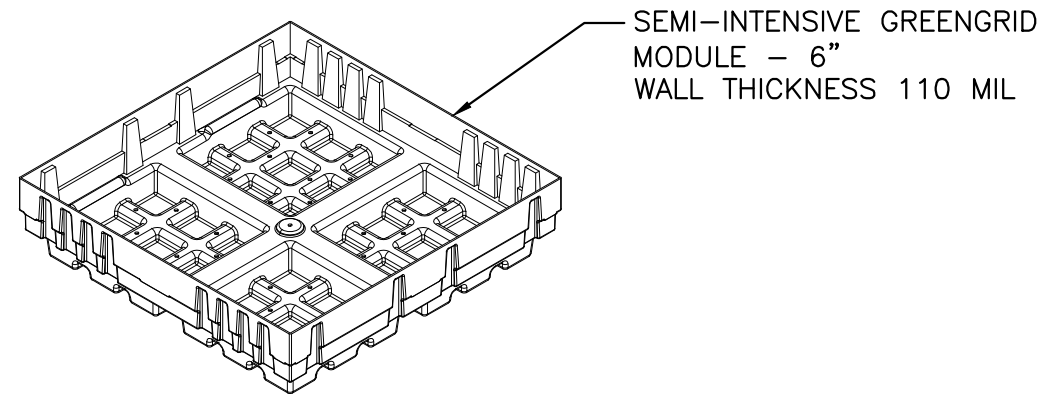
GreenGrid is a registered trademark of Weston Solutions, Inc. (WESTON).
 The GreenGrid® system is a proprietary technology of WESTON in the United States.
 U.S. patents 7,997,027; 8,122,682

WESTON SOLUTIONS, INC.
 G5 GREENGRID MODULES

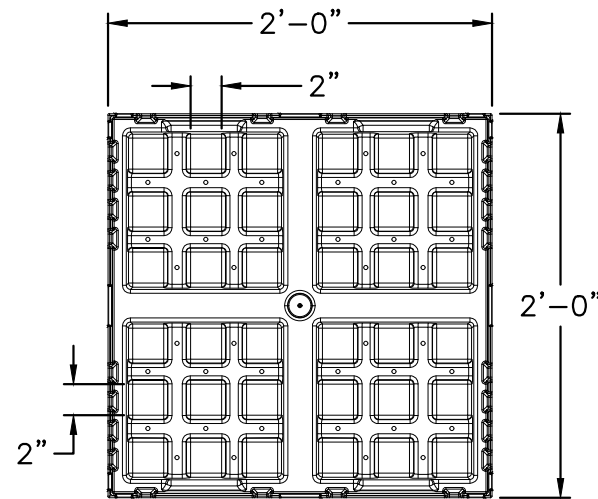
G5 GREENGRID MODULE
 INTENSIVE
 SECTIONS



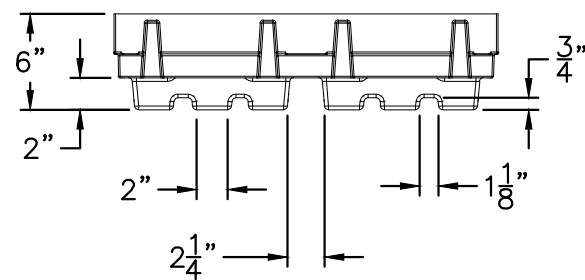
DRAWN	DATE	DES. ENG.	DATE	W.O. NO.
CHECKED	DATE	APPROVED	DATE	DWG. NO.



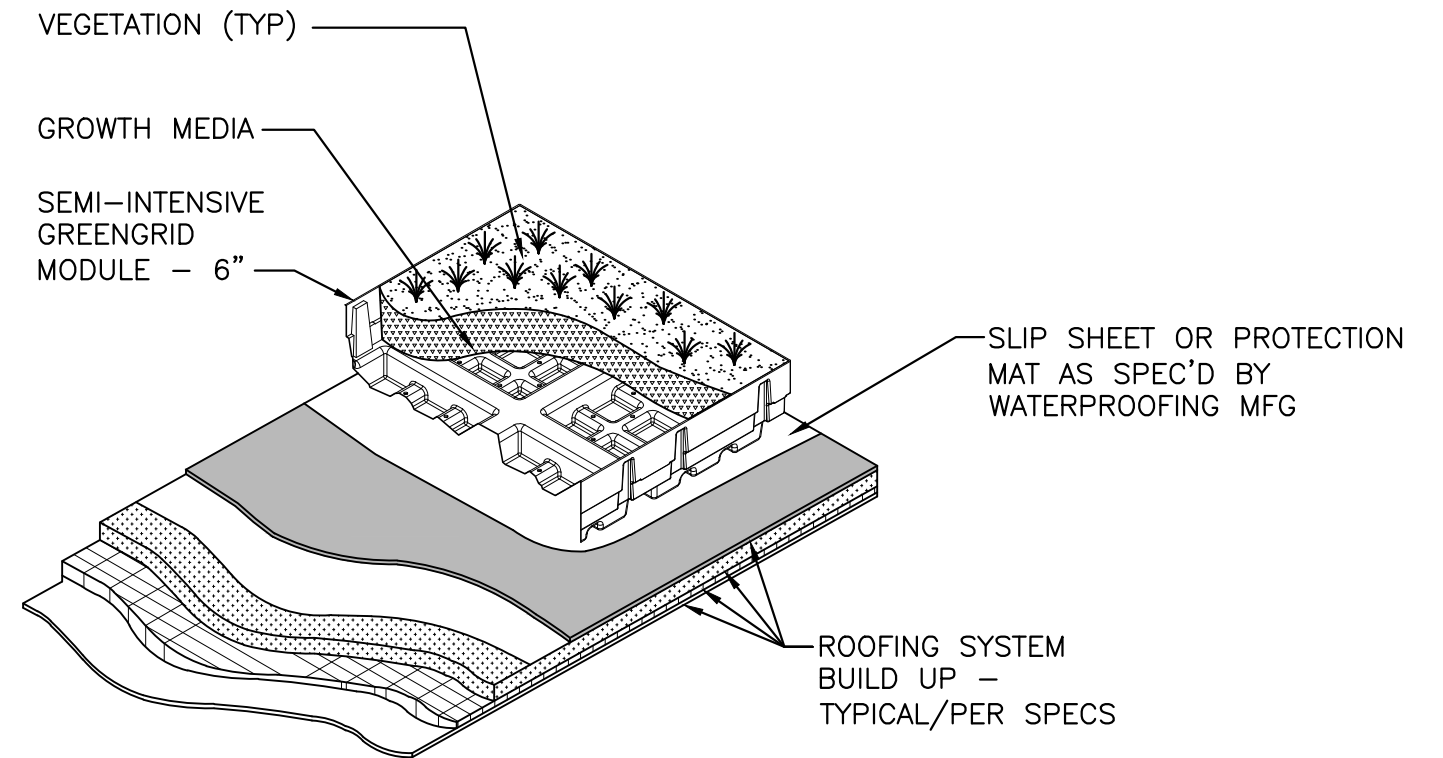
ISOMETRIC VIEW



TOP VIEW



SIDE VIEW



ISOMETRIC VIEW - CROSS SECTION

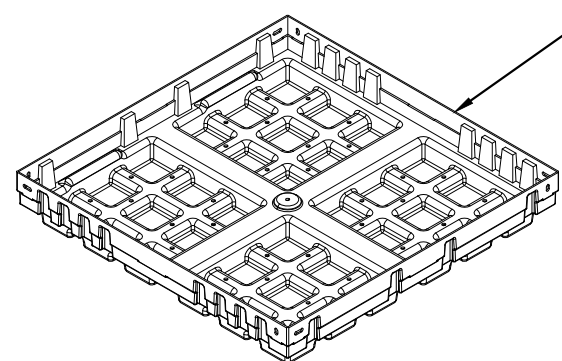
GreenGrid is a registered trademark of Weston Solutions, Inc. (WESTON).
 The GreenGrid® system is a proprietary technology of WESTON in the United States.
 U.S. patents 7,997,027; 8,122,682

WESTON SOLUTIONS, INC.
 G5 GREENGRID MODULES



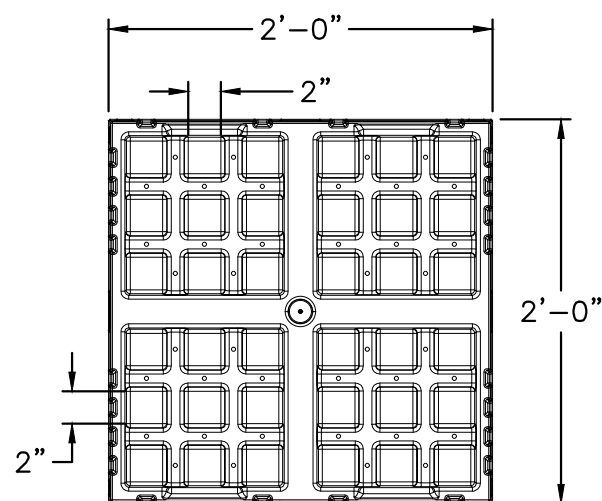
G5 GREENGRID MODULE
 SEMI-INTENSIVE
 SECTIONS

DRAWN	DATE	DES. ENG.	DATE	W.O. NO.
CHECKED	DATE	APPROVED	DATE	DWG. NO.

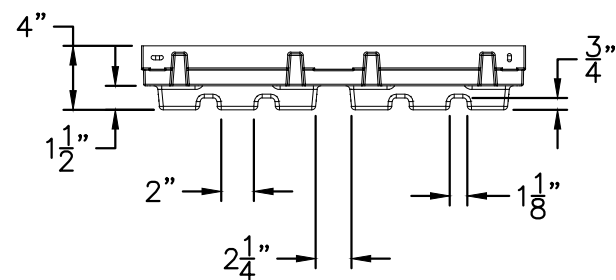


EXTENSIVE GREENGRID
MODULE - 4"
WALL THICKNESS 100 MIL

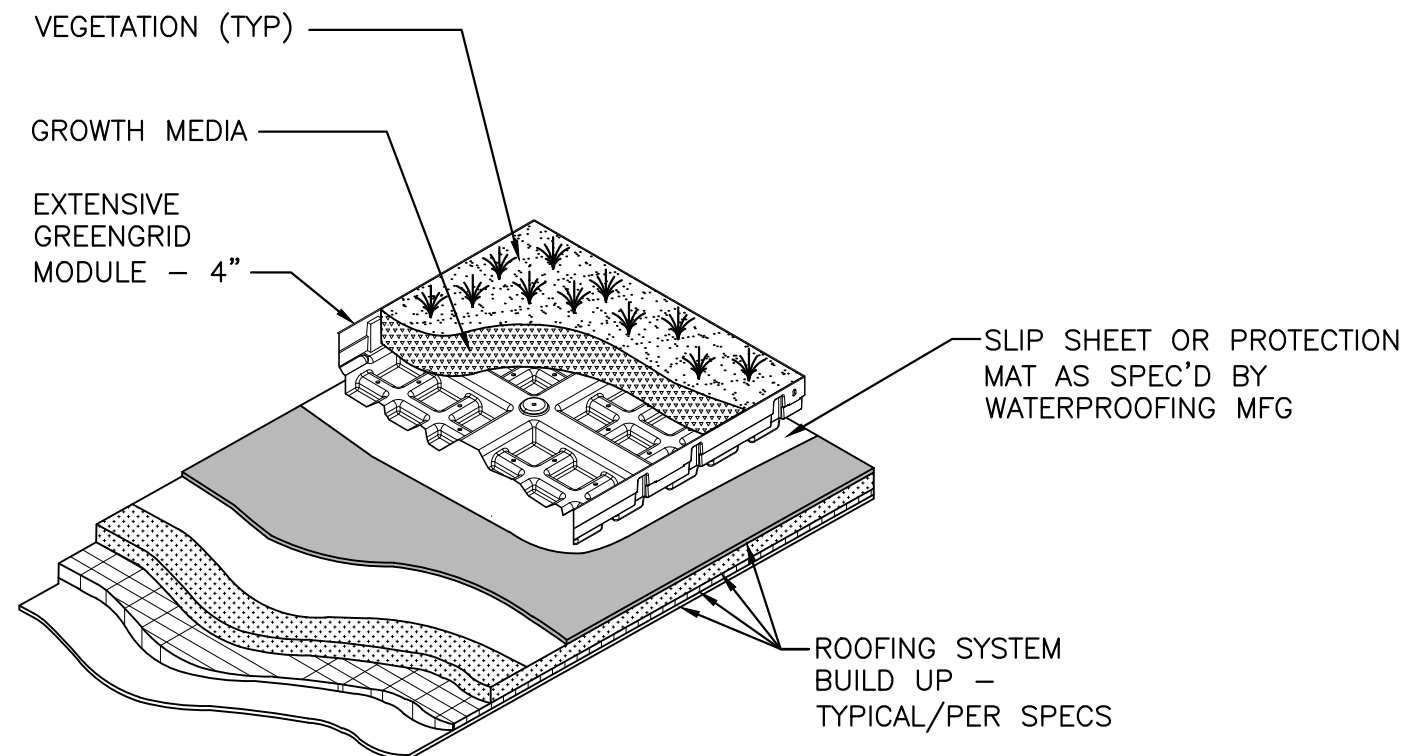
ISOMETRIC VIEW



TOP VIEW



SIDE VIEW



ISOMETRIC VIEW - CROSS SECTION

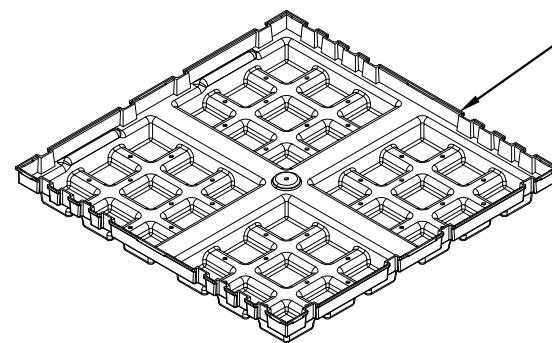
WESTON SOLUTIONS, INC.
G5 GREENGRID MODULES

G5 GREENGRID MODULE
EXTENSIVE
SECTIONS



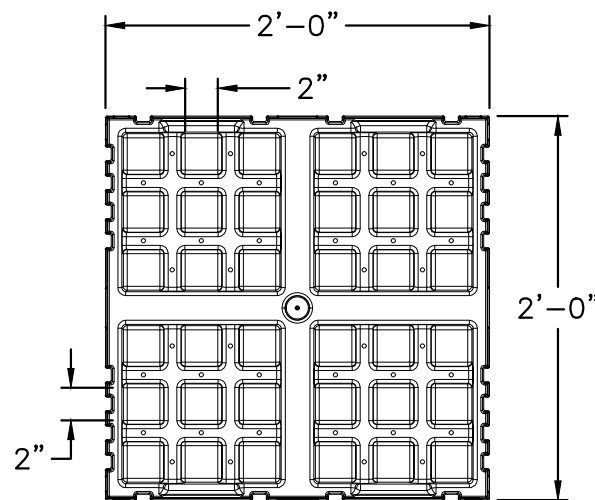
DRAWN	DATE	DES. ENG.	DATE	W.O. NO.
CHECKED	DATE	APPROVED	DATE	DWG. NO.

GreenGrid is a registered trademark of Weston Solutions, Inc. (WESTON).
The GreenGrid® system is a proprietary technology of WESTON in the United States.
U.S. patents 7,997,027; 8,122,682

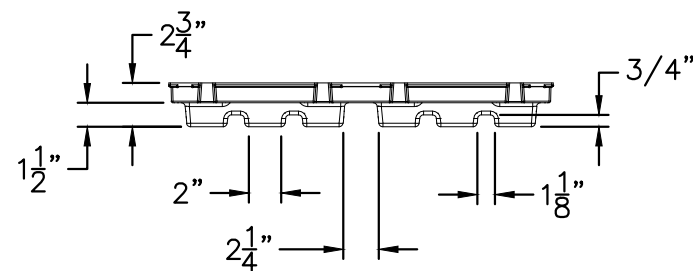


ULTRA-EXTENSIVE GREENGRID
MODULE - 2.75"
WALL THICKNESS 100 MIL

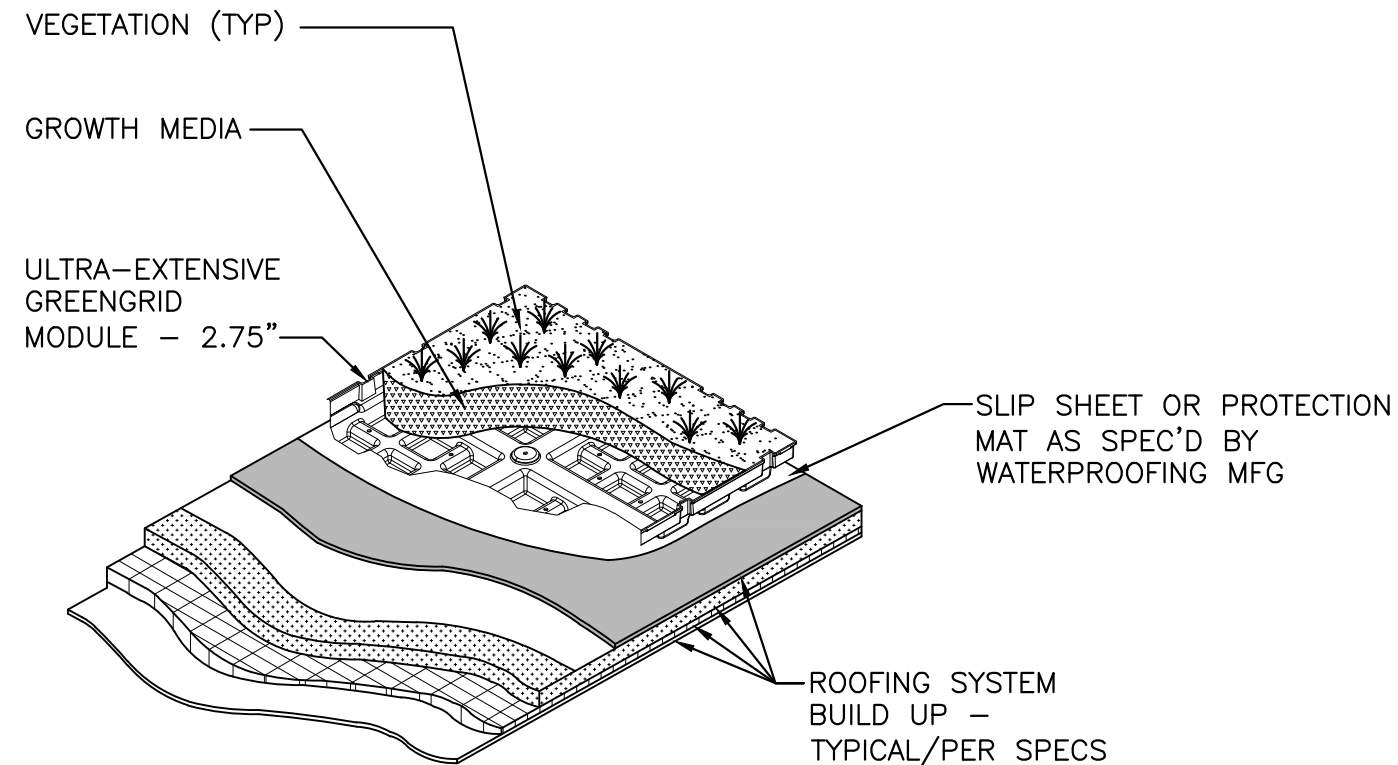
ISOMETRIC VIEW



TOP VIEW



SIDE VIEW



ISOMETRIC VIEW - CROSS SECTION

WESTON SOLUTIONS, INC.
G5 GREENGRID MODULES

G5 GREENGRID MODULE
ULTRA-EXTENSIVE
SECTIONS



DRAWN	DATE	DES. ENG.	DATE	W.O. NO.
CHECKED	DATE	APPROVED	DATE	DWG. NO.

GreenGrid is a registered trademark of Weston Solutions, Inc. (WESTON).
The GreenGrid® system is a proprietary technology of WESTON in the United States.
U.S. patents 7,997,027; 8,122,682