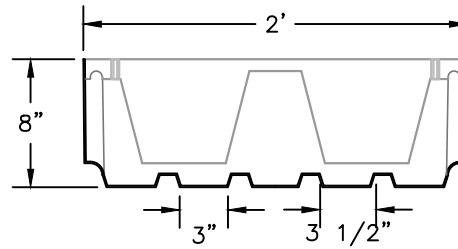
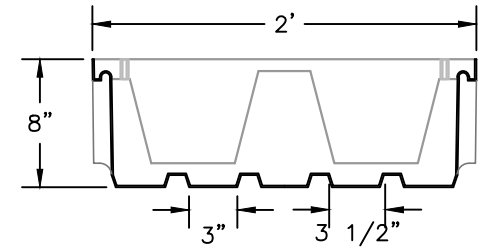


SIDE VIEW

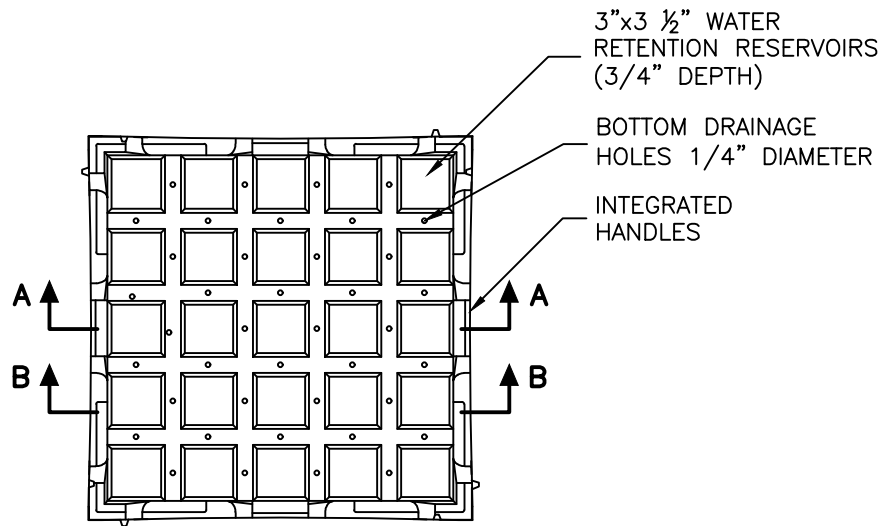


CROSS SECTION A-A

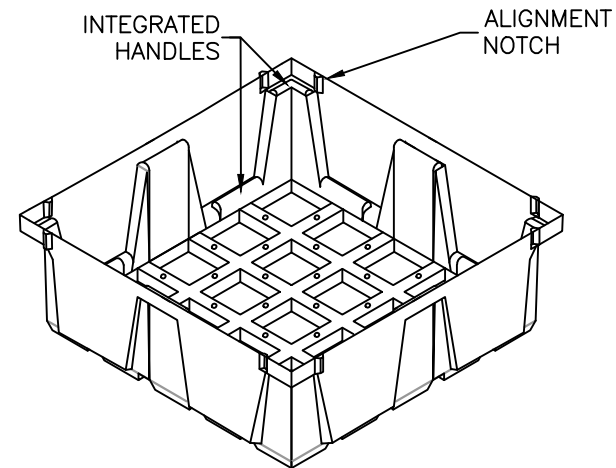


CROSS SECTION B-B

MOLDED CHANNEL
TO ACCEPT LATERAL
IRRIGATION LINES



TOP VIEW



ISOMETRIC VIEW

U.S. Patents: 6,711,851 | 6,862,842 | 7,900,397 | 8,555,545
Canadian Patents: 2,416,457 | 2,418,262 | 2,416,463



www.greengridroofs.com
ph# 888-404-4743

GREENGRID G4 MODULE
2'x2'x8" INTENSIVE MODULE