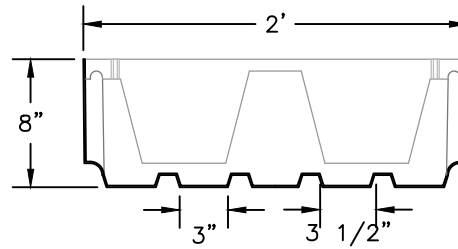
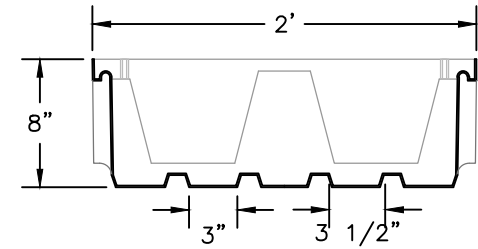


**SIDE VIEW**

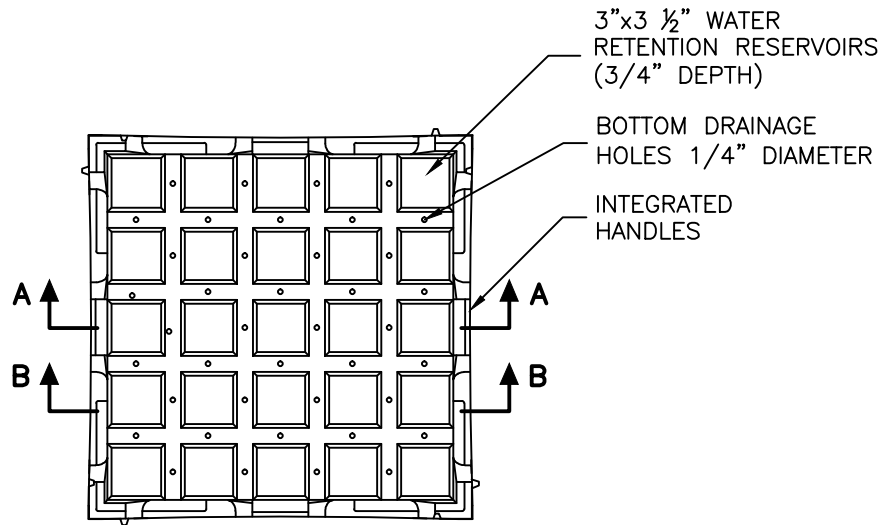


**CROSS SECTION A-A**

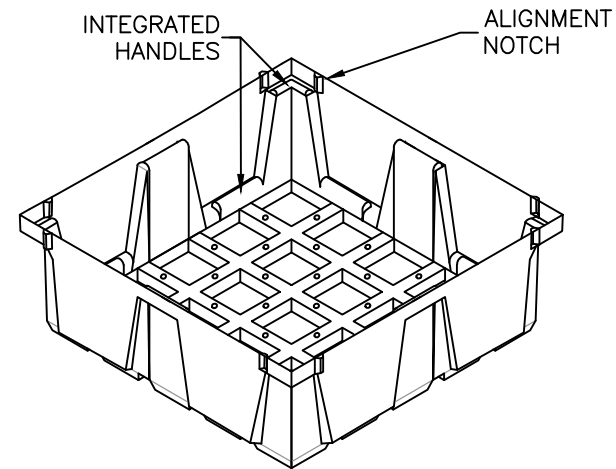


**CROSS SECTION B-B**

MOLDED CHANNEL  
TO ACCEPT LATERAL  
IRRIGATION LINES



**TOP VIEW**



**ISOMETRIC VIEW**

U.S. Patents: 6,711,851 | 6,862,842 | 7,900,397 | 8,555,545  
 Canadian Patents: 2,416,457 | 2,418,262 | 2,416,463  
 Additional U.S. and international patents pending



Weston Solutions, Inc.  
 & GreenGrid  
 124 Hebron Ave., Suite 3B  
 Glastonbury, CT 06033  
 888-404-4743

GREENGRID G4 MODULE DESIGN  
 2'x2'x8" MODULE