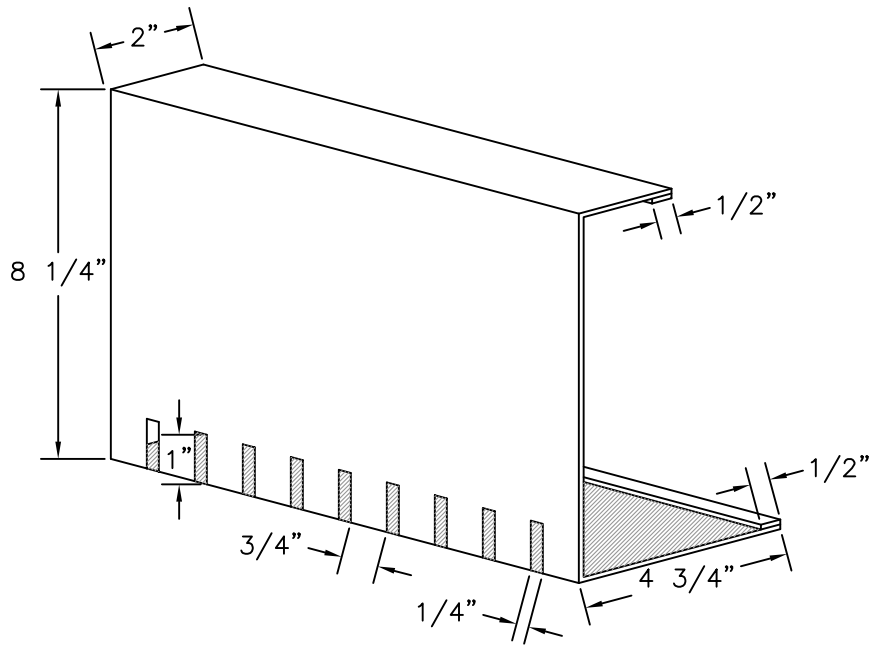


EXTENSIVE EDGE TREATMENT DETAIL



INTENSIVE EDGE TREATMENT DETAIL

NOTE:

1. EDGE TREATMENT IS AVAILABLE IN 0.040 PAINTED ALUMINUM (RECYCLED CONTENT 91%) OR 24 GAUGE PAINTED STEEL (RECYCLED CONTENT 28 TO 35%) FOR VIEWABLE EDGE OF MODULES.

2. AVAILABLE IN A VARIETY OF COLORS

FIGURE 1-4



750 E. Bunker Ct.
Suite 500
Vernon Hills, Illinois
60061

MODULAR EDGE TREATMENT DETAIL